

# AIRLOCKS



# CSL

CAROTHERS AND SON, LTD.  
INDUSTRIAL SYSTEMS

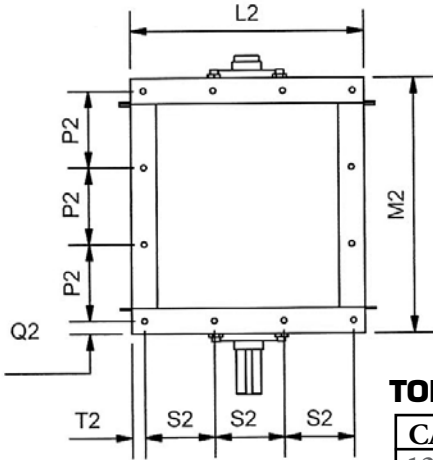
## AIRLOCKS

- Various fabrication materials available: A36 Carbon Steel, Wear Resistant Plate and Stainless Steel.
- Various drives available: In-Line or Right Angle Gear Motor with chain drive or shaft mount with belt drive.
- Replaceable flexible tip seals with Neoprene, Food grade Polyurethane, UHMW or Brass available.
- Sizes from 8" to 72" available for quick delivery.
- Custom length rotors for narrow or long inlets.
- Oversized shaft bearings and drives for severe duty.
- Various inlets available: square to round, Stuffing boxes, Square chutes, Etc.
- Various discharges available: Tee-Injector, Blow Thru Adapter, Storage Bins, Etc.
- Simple safety disconnects available for drum collection.

## FT AIRLOCKS

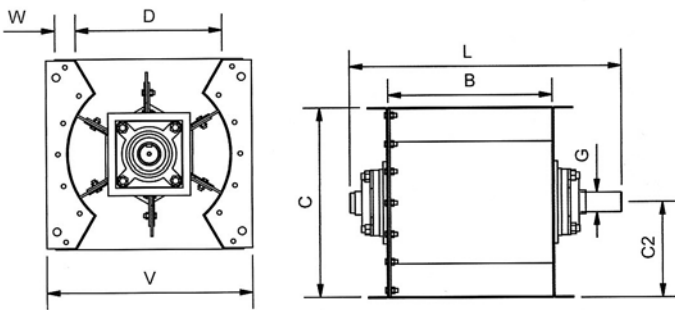
### CAPACITIES (UPH)

Model	RPM	CFR	AT 100%	AT 50%	AT 40%	Wt (lb)
12	45	0.7	9.7	5.8	3.9	280
16	40	1.7	20.4	12.2	8.2	400
20	37	3.2	35.5	21.3	14.2	650
24	35	5.7	59.8	35.9	23.9	1080
30	33	11.2	110.9	66.5	44.4	1340
36	30	19.9	179.1	107.5	71.6	2120
42	27	32.0	259.2	155.5	103.7	3520
48	23	48.0	331.2	198.7	132.5	4220
60	20	93.0	558.0	334.8	223.2	6790
72	20	167.0	1002.0	601.2	400.8	10065



### TOP AND BOTTOM FLANGE PATTERN

CA	L2	M2	P2's	P2	Q2	S2's	S2	T2	Dia.
12	15"	16	3	4 11/16"	31/32	3	4 5/16	1 1/32	7/16
16	18 1/4"	20	3	6"	1	3	5 29/64	31/32	7/16
20	23"	25	3	7 11/16"	31/32	3	7	1	7/16
24	26 7/8"	29	3	9"	1	3	8 17/64	1 1/32	7/16
30	33 7/16"	36	3	13 5/16"	1 31/32	3	10 15/32	1	9/16
36	38 11/16"	42	3	13 1/8"	1 5/16	3	12 1/64	1 5/16	9/16
42	44 1/8"	48	3	15"	1 1/2	3	13 3/4	1 7/16	9/16
48	50 9/16"	55	4	13"	1 1/2	3	15 7/8	1 1/2	11/16
60	62 1/2"	69	4	16 1/4"	2	4	14 11/16	1 7/8	11/16
72	73 1/16"	95 1/2	7	13 1/16"	1 15/16	7	9 13/16	2 1/8	11/16



ITM	MODEL NUMBERS									
	12	16	20	24	30	36	42	48	60	72
B	12"	16"	20"	24"	30"	36"	42"	48"	60"	72"
C	14"	18 1/2"	23 1/2"	28"	35"	42"	49"	56"	70"	85"
D	11"	14 1/2"	18 1/2"	21 7/8"	27 7/16"	32 11/16"	38 1/8"	43 9/16"	54 1/2"	62 9/16"
L	26 7/8"	32"	36"	43"	52"	59"	68 3/4"	77"	-	105 9/16"
G	1 7/16"	1 15/16"	2 3/16"	2 7/16"	2 7/16"	2 15/16"	3 7/16"	3 7/16"	4 7/16"	4 15/16"
V	16"	20"	25"	29"	36"	42"	48"	54"	68"	81"
W	2"	2"	2 1/2"	2 1/2"	3"	3"	3"	3 1/2"	4"	5 1/4"
C2	7"	9 1/4"	14"	14"	7 1/2"	21"	24 1/2"	28"	35"	-